



APPLICATIONS

- Performing Arts Centers
- Commercial Theatre
- Houses of Worship
- Fitness & Sports venues
- Nightclubs
- Optimized for short to medium-throw live sound and installations

Bi-amped 2-way Constant Beamwidth Loudspeaker

CBL528

180° OF HORIZONTAL COVERAGE WITH INTEGRATED GAIN-SHADING PROVIDING A 45° VERTICAL PATTERN. Designed as a short to medium throw loudspeaker, the CBL528 is ideally suited for a wide range of applications.

FEATURES

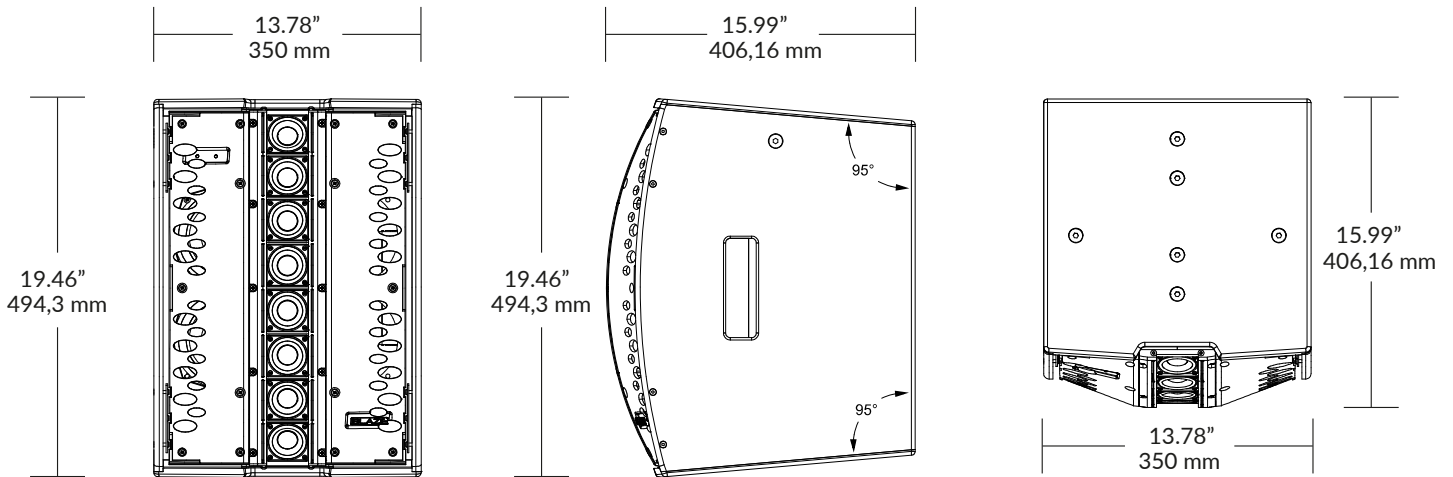


Featuring a compact form factor, the CBL528 makes an excellent choice for permanent installations such as fitness & sports venues, conference centers and Houses of Worship.

With its wide 180° horizontal and 45° vertical dispersion, this loudspeaker supports a frequency range from 54 Hz to 18 kHz—ensuring clear, natural sounding music and highly articulate speech reproduction. Equally important, the CBL528's symmetrical dispersion pattern ensures listeners hear consistent sound regardless of whether they are positioned in front of, to the left, or to the right of the loudspeaker.

- Highly focused pattern with consistent frequency response throughout the frequency range, on and off-axis.
- Symmetrical dispersion pattern.
- Four x 5" low-frequency drivers, with tightly designed acoustic centers, minimize comb-filtering with a frequency response down to 54 Hz.
- Eight x 2" mid-high frequency drivers.
- Patent pending mid-high frequency gain shading provides a smooth and controlled 45° vertical pattern from 420 Hz to 18 kHz.
- Bi-amped design for system integration with Blaze Audio Amplifiers.
- 180° symmetrical horizontal pattern control.
- Ultra low-distortion drivers
- System range 54 Hz - 18 kHz

TECHNICAL SPECIFICATIONS



SYSTEM PERFORMANCE

Frequency Response (-3 dB) ¹	54 Hz - 18 kHz
Frequency Range (-10 dB) ¹	48 Hz - 18 kHz
High-Pass Filter	48 Hz - w/ minimum 24 dB / Butterworth Filter
Horizontal Nominal Dispersion (-6 dB)	180°
Vertical Nominal Dispersion (-6 dB)	45°
Recommended Crossover Frequency	420 Hz (acoustic, active, external DSP)
Long Term Power Handling (Low Freq.) ²	320 W (1280 W peak)
Long Term Power Handling (High Freq.) ²	200 W (800 W peak)
Low Frequency Impedance	8 Ω
High Frequency Impedance	5.2 Ω
Pressure Sensitivity (Low Freq @ 1 W / 1 m) ³	93 dB
Pressure Sensitivity (High Freq. @ 1 W / 1 m) ³	95.5 dB
Max System SPL (@ 1 m) ⁴	121 dB SPL (127 dB SPL peak)

PHYSICAL CHARACTERISTICS

Enclosure	12 mm Baltic birch plywood, engineered plastics.
Finish	Two-part spray catalyzed Polyurea coating on plywood.
Grille	14-gauge (2 mm) perforated steel, powder-coated finish, black.
Environmental	Indoor use only.
Connectors / Bi-Amp	One (1) NL4 Neutrik® Speakon® connectors.
Suspension / Mounting	M10 x 4, projector mount, two-position pole mount.
Dimensions (HxWxD)	19.46" x 13.78" x 15.99" (494,3 x 350 x 406,16 mm)
Net Weight	38.5 lbs / 17,46 kg
Shipping Weight	43.5 lbs / 19,75 kg
Color Variants	Black or White
Product Version	CBL528



1. Frequency response and range measured on-axis with recommended active EQ in an anechoic environment.
2. Power handling tested using pink noise filtered to meet IEC 268-5, 6 dB crest factor, 100 hours, with recommended EQ.
3. Sensitivity measured in free field (no boundary-loading gain) with recommended active EQ, referenced to 1 W / 1 m.
4. Maximum SPL calculated from sensitivity and power handling specifications, exclusive of power compression (100 Hz - 10 kHz).