

APPLICATIONS

- Compact, symmetrical enclosure, ideal for under-balcony or as on wall applications.
- Performing Arts Centers
- Commercial Theatre
- Houses of Worship
- Cafés, Bars and Restaurants
- Fitness & Sports venues



CBL523

COMPACT, 2-WAY CONSTANT DIRECTIVITY LOUDSPEAKER

The CBL523 supports and compliments the other members of the Blaze Audio loudspeaker family when used for delay, under-balcony, stage edge-fill and wall-mount applications.

FEATURES



The ultra-compact and innovatively designed CBL523 is a perfect fit where on-wall distributed audio is needed.

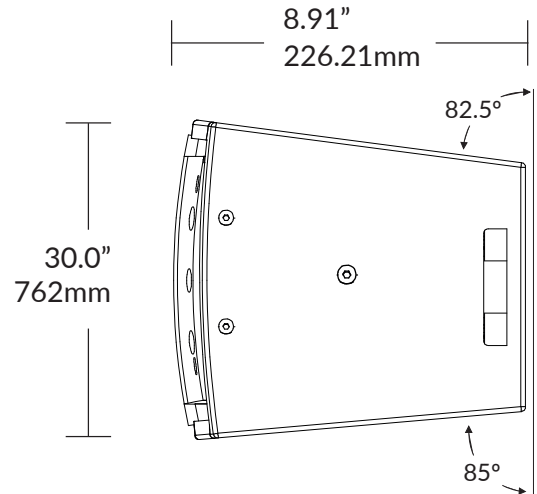
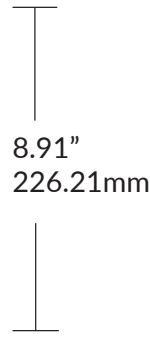
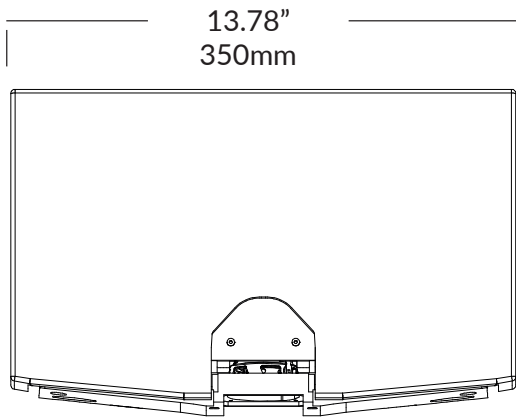
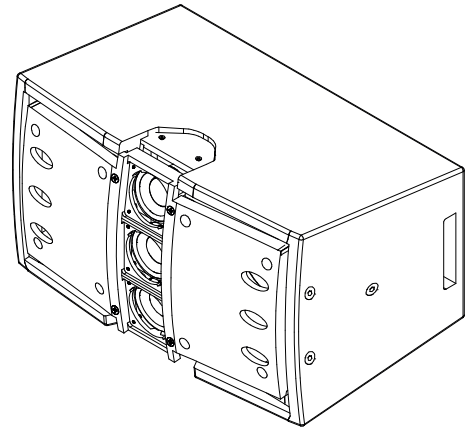
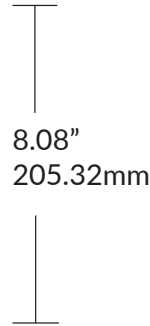
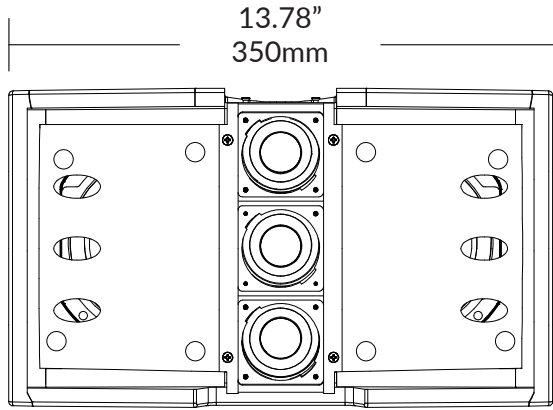
The 8" x 14" enclosure features two 5" low-frequency drivers complimented by a vertical Constant Directivity array of three 2" high-frequency drivers, delivering 119dB of maximum SPL in a focused 160° (horizontal) x 55°* (vertical) pattern.

The CBL523 has versatile mounting options with custom designed hardware, as well as the ability to stack and suspend two units together for increased SPL and an increased 30° vertical pattern.

*Average beamwidth, 500Hz - 5kHz.

- (2x) 5" custom LF drivers.
- (3x) 2" vertically arrayed HF drivers.
- 160° x 55°* Constant Directivity pattern.
- Components have been selected solely for their performance.
- 119dB maximum SPL.
- Symmetrical and compact trapezoidal design.
- Powder coated steel grille with a high transmission ratio.
- Tuned with a passive crossover and integration with Blaze Audio amplifiers with custom DSP and FIR filtering.

TECHNICAL SPECIFICATIONS



SYSTEM PERFORMANCE

Frequency Response (-3dB)*	71 Hz - 18 kHz
Frequency Range (-10 dB)	55 Hz - 18 kHz
Recommended High-Pass Filter	48 Hz
Horizontal Nominal Dispersion (-6dB)	160°
Vertical Nominal Dispersion (-6 dB)	55° (Average beamwidth, 500Hz - 5kHz)
Recommended Crossover Frequency	520 Hz
Long Term Power Handling (Full Range)	160 W
Impedance	4 ohms
Pressure Sensitivity @ 1W/1m (2.83V)	91 dB
Max SPL @ 1W/1m (2.83v)	119 dB

PHYSICAL CHARACTERISTICS

Enclosure	12mm Baltic birch plywood, engineered plastics.
Finish	Two-part spray catalyzed Polyurea coating on plywood.
Grille	16-gauge (1.6mm) perforated steel, powder-coated finish, black.
Environmental	Indoor use only
Connectors/Bi-Amp	Two (2) parallel-wired NL4 Neutrik® Speakon® connectors.
Suspension/Mounting	Wall/Ceiling Mount and Suspension Options. Hardware sold separately.
Dimensions (HxWxD)	8.08" x 13.78" x 8.90" (205.32 x 350 x 226.21 mm)
Net Weight	15lbs / 6.8kg
Shipping Weight	18lbs / 8.16kg
Product Version	CBL523

*Frequency response and range measured on-axis with anechoic environment.